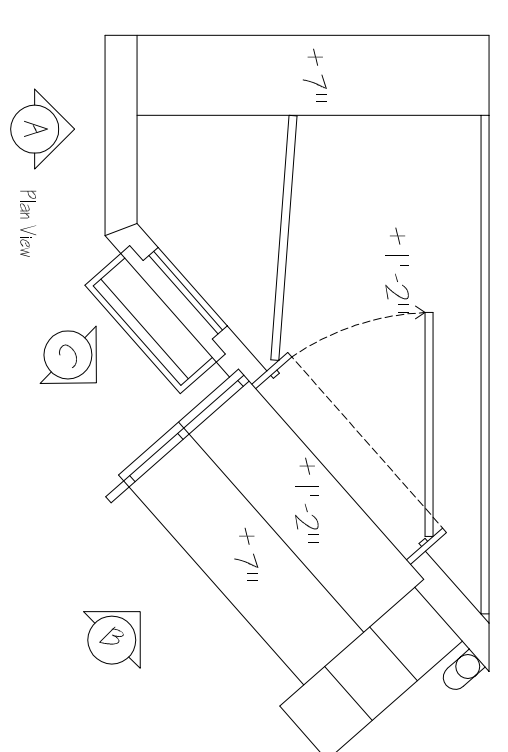
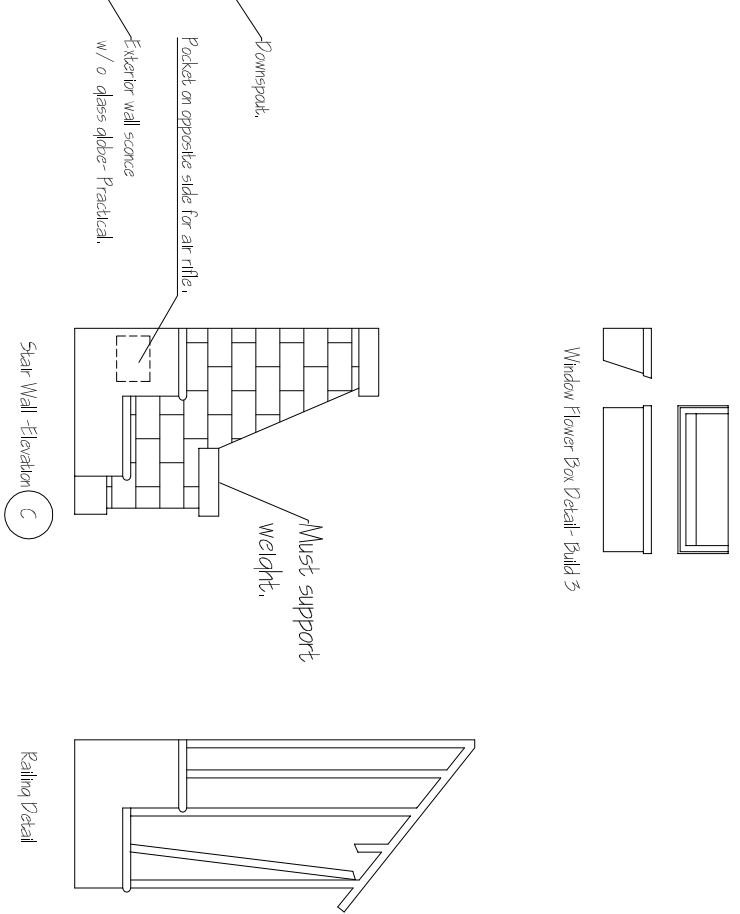
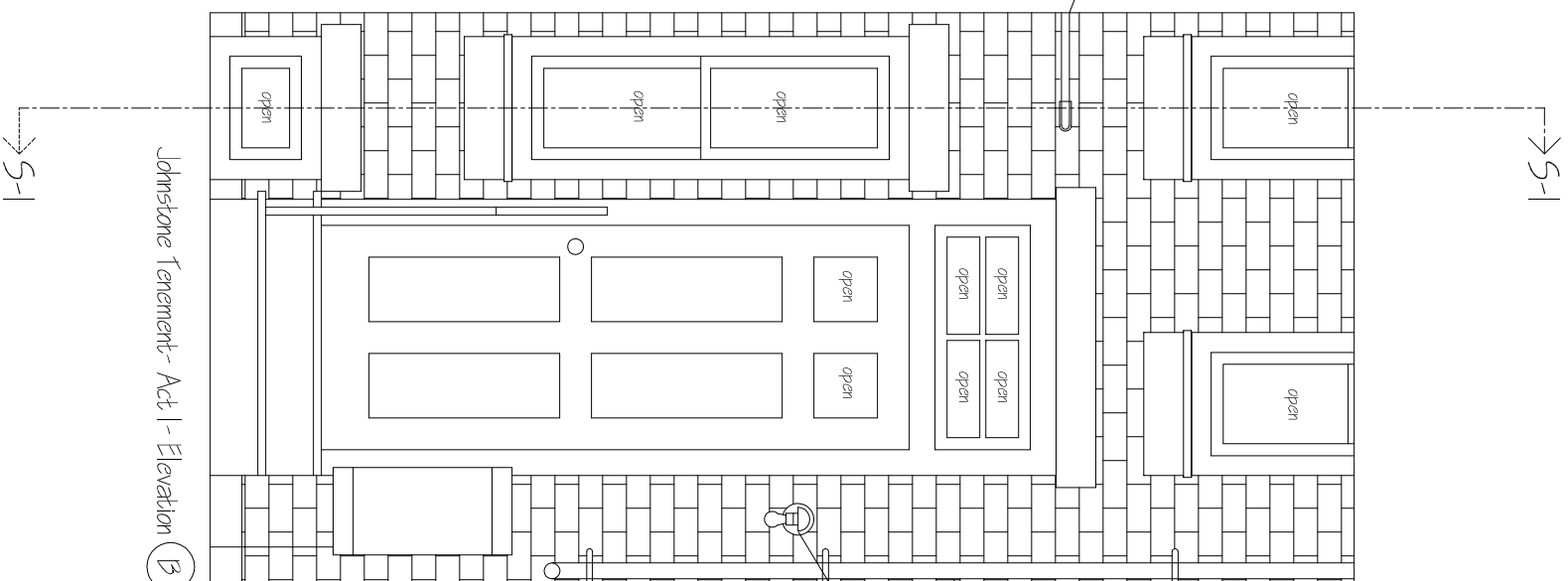
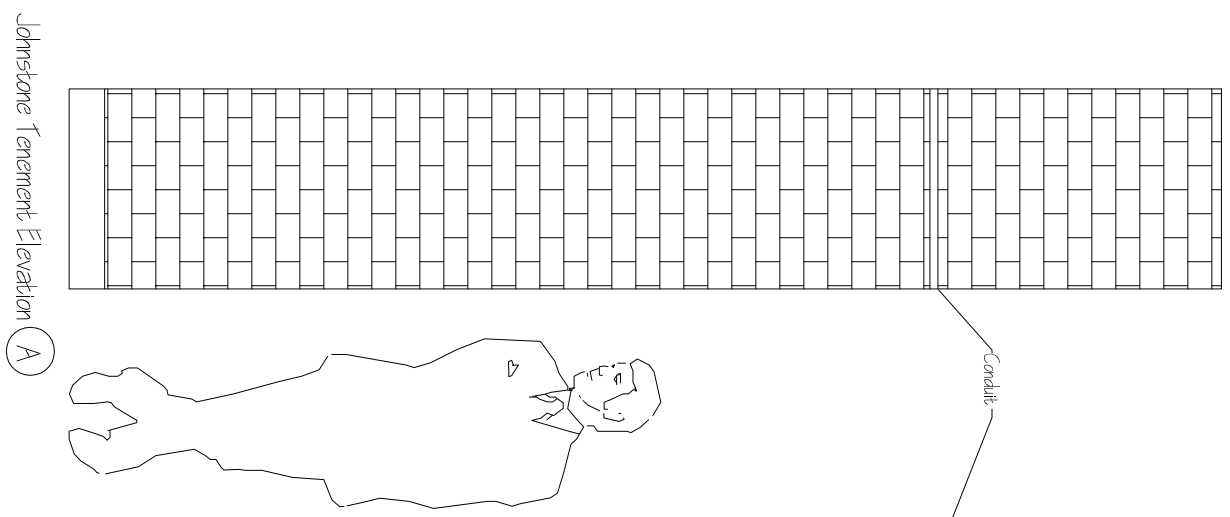


Notes:

- All brick is dimensional of $\frac{1}{8}$ " , $\frac{1}{4}$ " , $\frac{1}{2}$ " , and $\frac{3}{4}$ " thickness, with $\frac{1}{2}$ " mortar, laminated to the surface of the unit after mortar has been painted.
- All areas listed as "open" should be covered with Plexi-glass and dressed on the off stage side with curtains and/ or window shades, except the windows in the door.
- Conduit should wrap around both exterior surfaces of the unit.
- Windows are dimensional, but not functional. Door is dimensional and functional.
- The movement of this unit on and off stage should be out of the view of the audience.
- Unit is on Swivel Castors.



Blood Brothers		Draw No.	4
Mount Washington Valley Theatre Company Eastern Stage Playhouse		Director	Andrew Abate-Linden
Elevation		Designer	David Singer
		Tech. Director	Earl Lewis
		Scale	1/2" = 1'-0"
		Date	21 Jul 2009